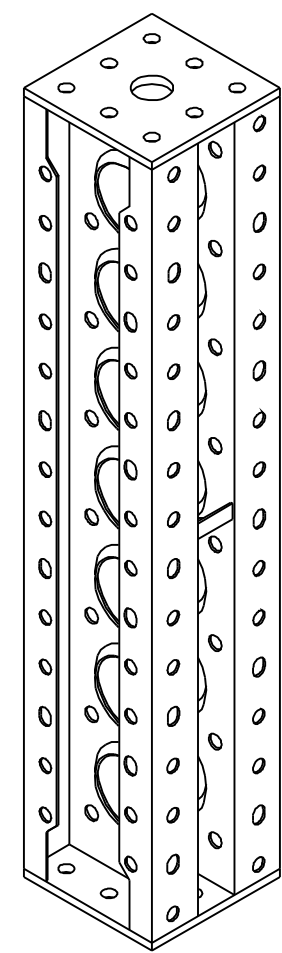


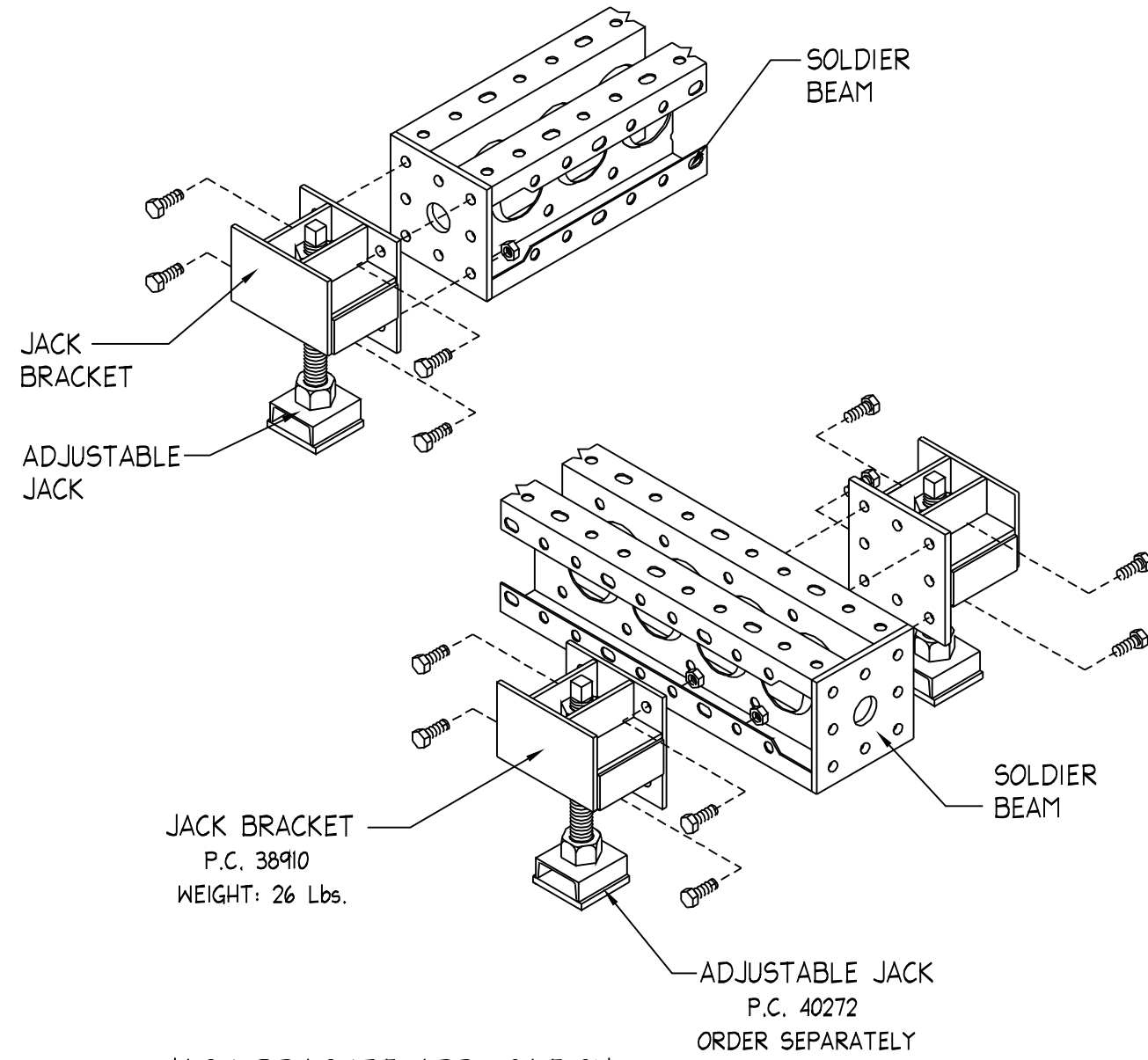
# SYMONS SOLDIER™ IDENTIFICATION CHART

This chart will assist in order preparation and in the preparation of return equipment lists for all Soldier System components and associated components. When placing an order either by mail or by phone, please identify each component by its correct name and product code number. Should you have any questions about availability of a special product, please contact your Symons Account Manager or Symons Distribution Center.

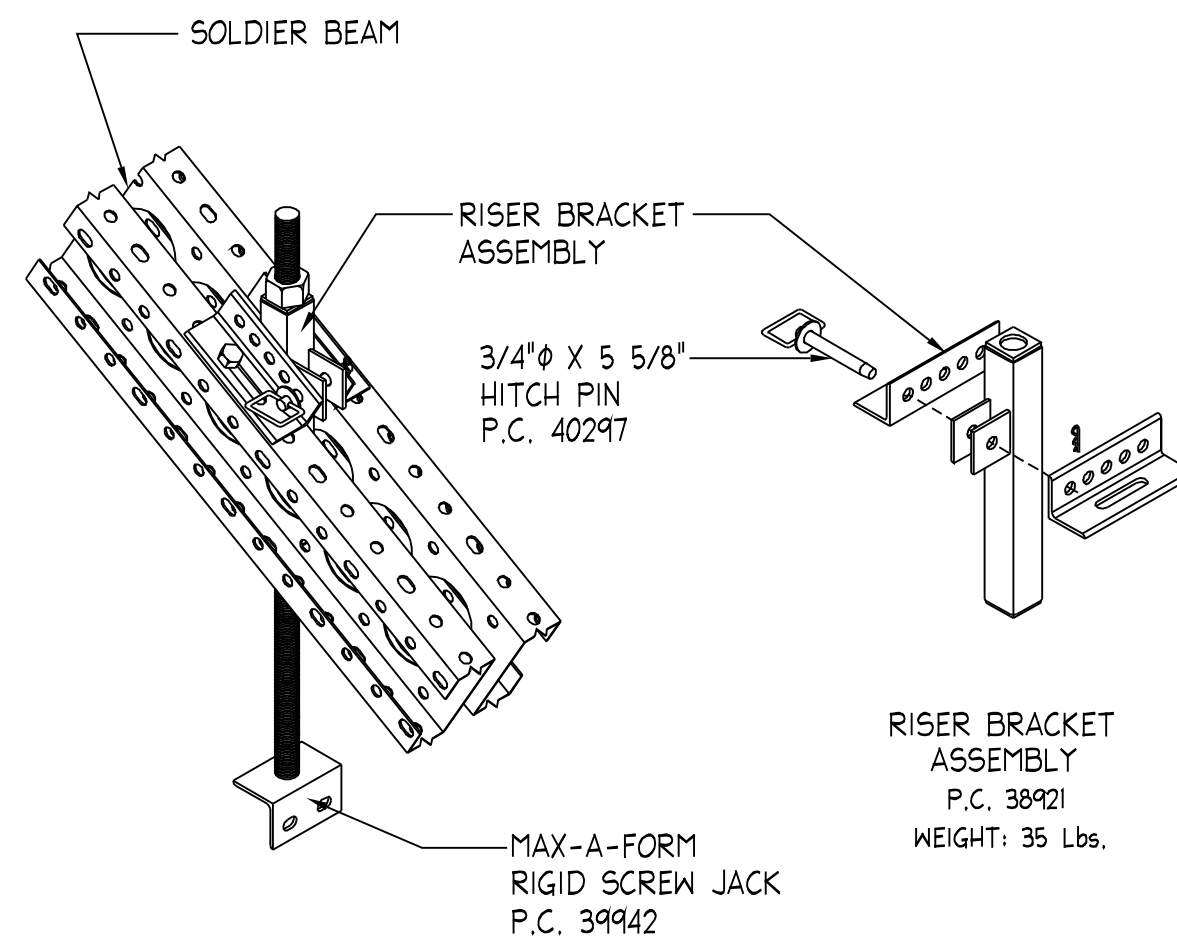


SOLDIER BEAMS		
CODE	DESCRIPTION	WT.
38904	12'-0" SOLDIER BEAM	770
38902	8'-0" SOLDIER BEAM	570
38901	4'-0" SOLDIER BEAM	415
38917	3'-0" SOLDIER BEAM	370
38903	2'-0" SOLDIER BEAM	310
38900	1'-6" SOLDIER BEAM	290

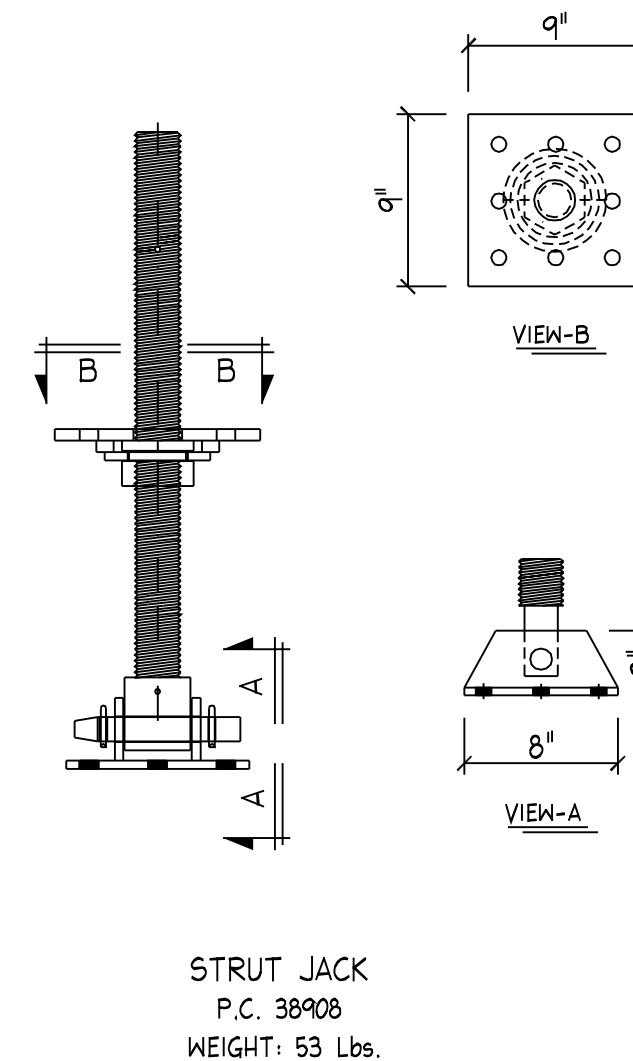
TYPICAL SOLDIER BEAM



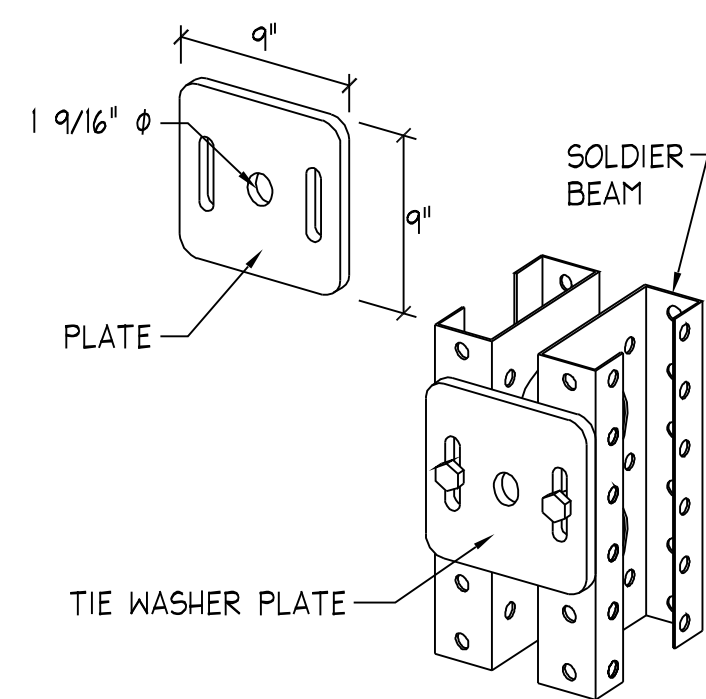
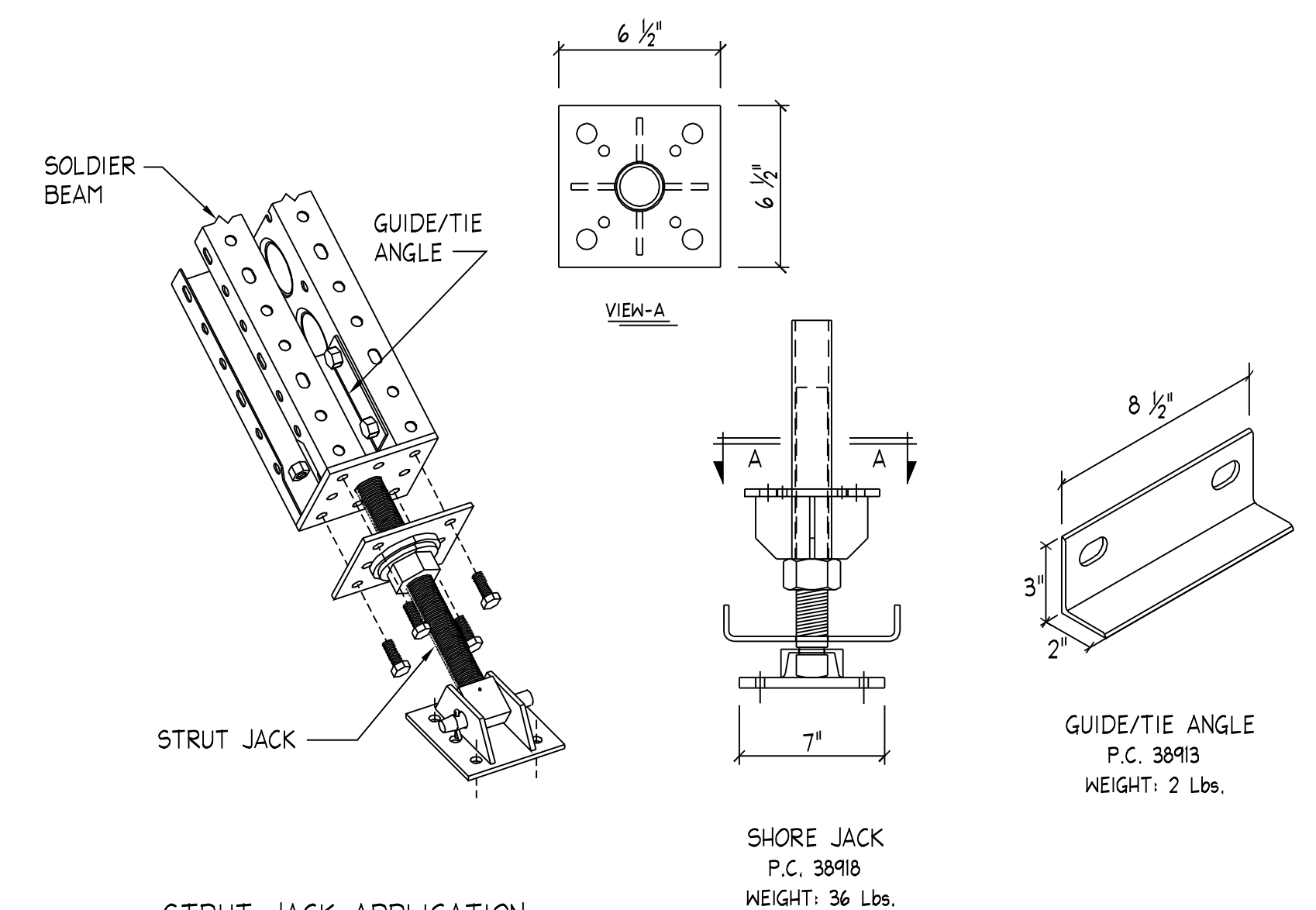
JACK BRACKET APPLICATION



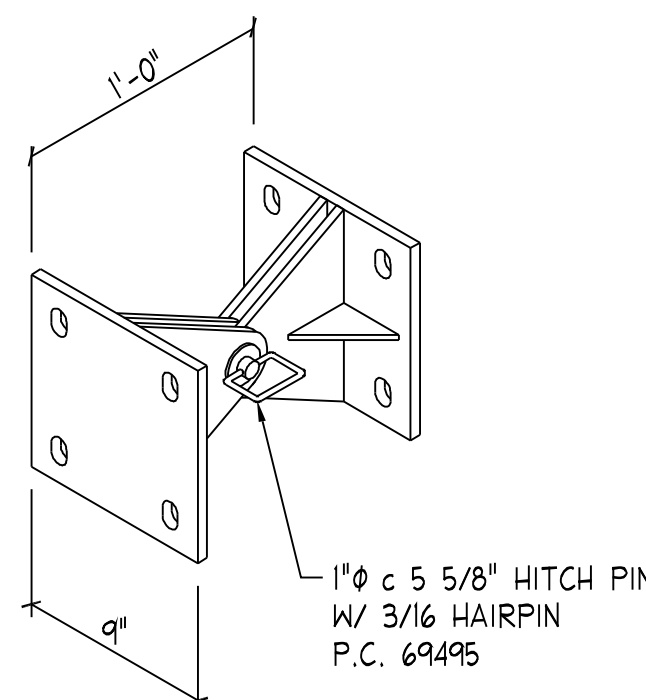
RISER BRACKET APPLICATION



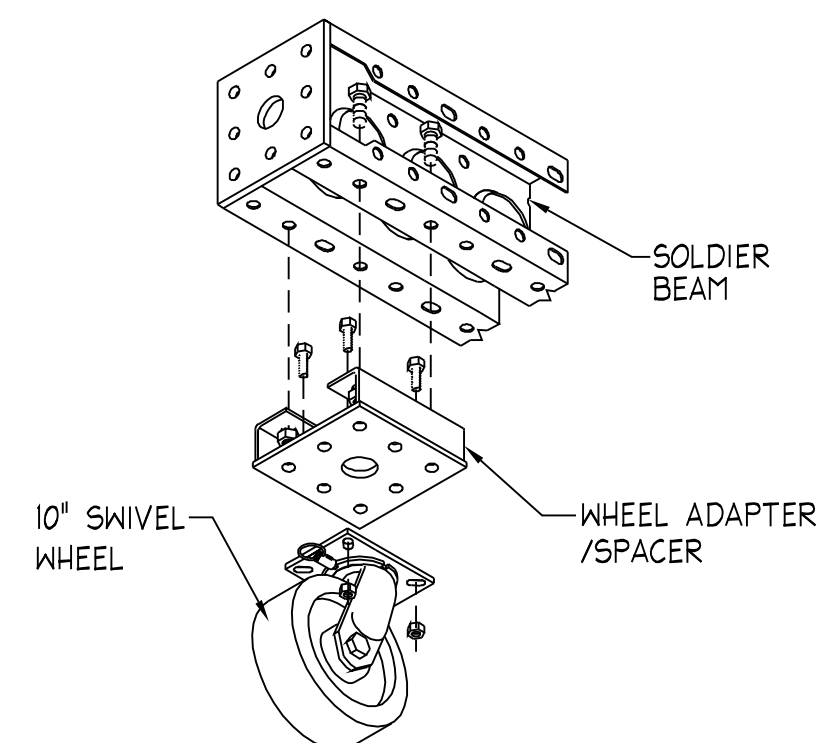
STRUT JACK APPLICATION



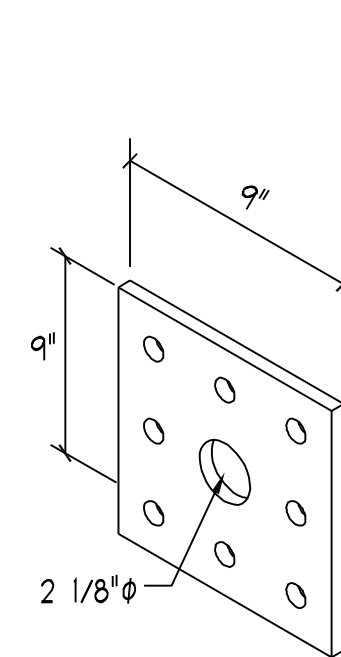
TIE WASHER PLATE  
P.C. 38905  
WEIGHT: 17 Lbs.



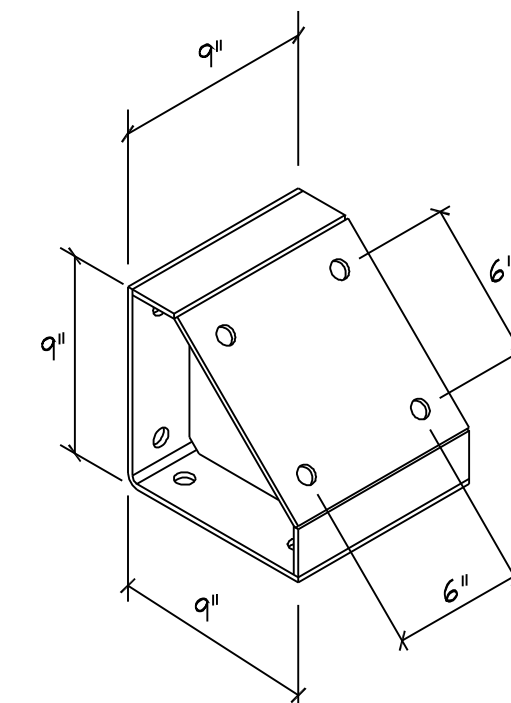
PIVOT BRACKET  
P.C. 38907  
WEIGHT: 37 Lbs.



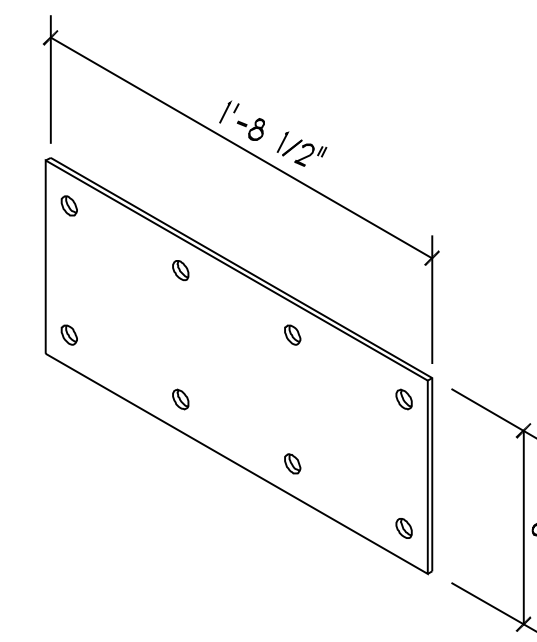
WHEEL ADAPTER/SPACER  
P.C. 38920  
WEIGHT: 19 Lbs.



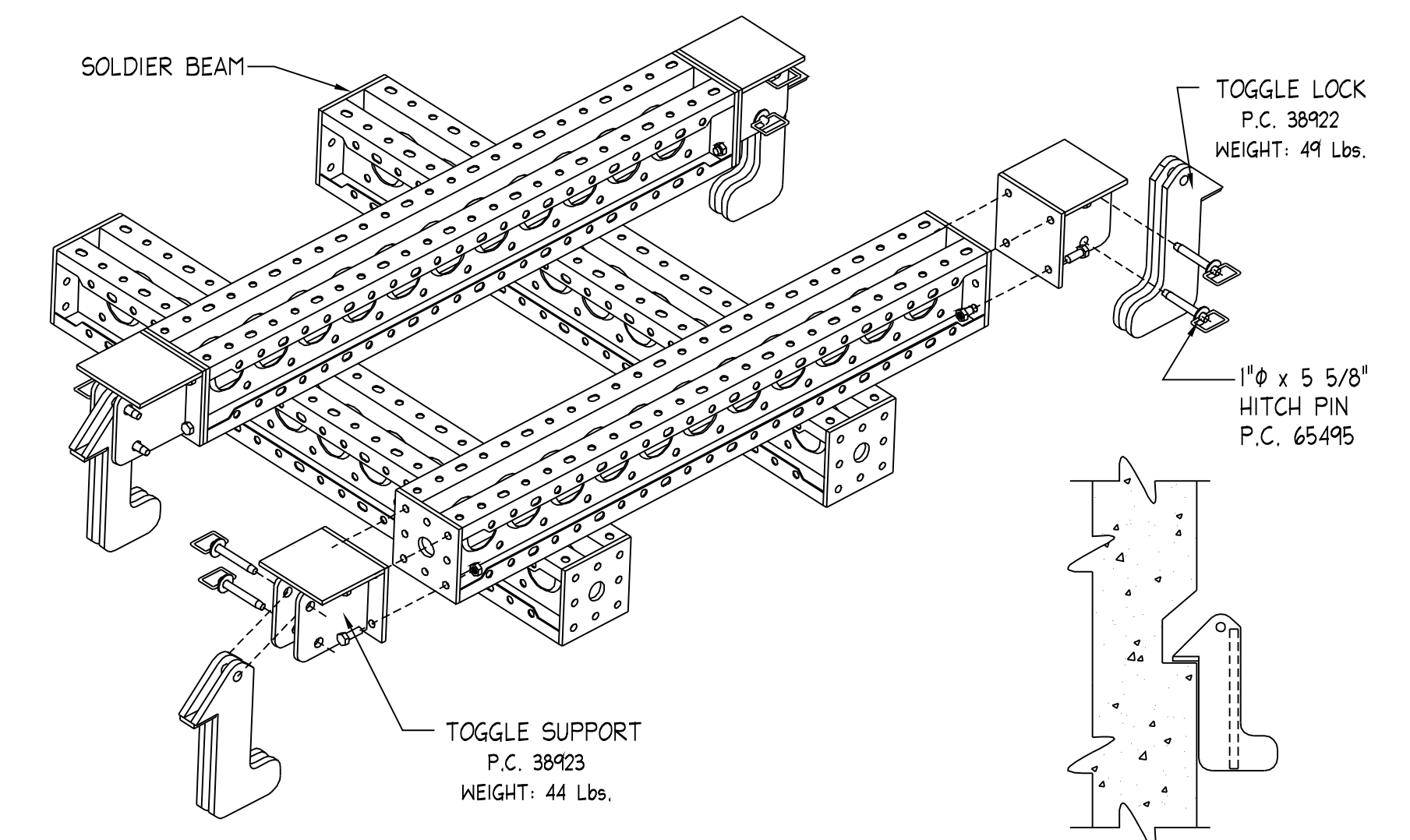
SHIM PLATE  
P.C. 47951  
WEIGHT: 11 Lbs.



45° BRACKET  
P.C. 38919  
WEIGHT: 27 Lbs.

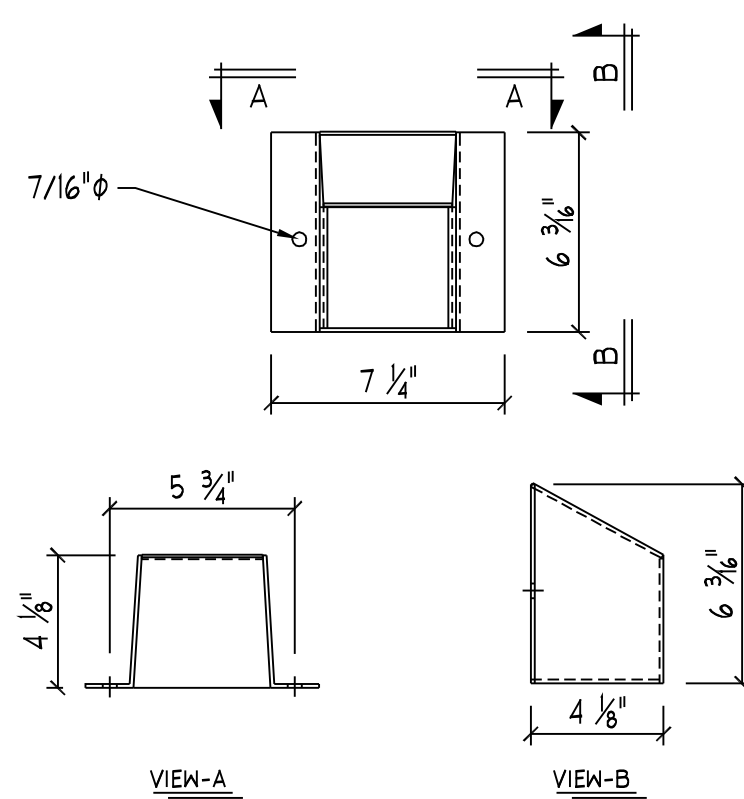


LAP SPLICE PLATE  
P.C. 38928  
WEIGHT: 13 Lbs.

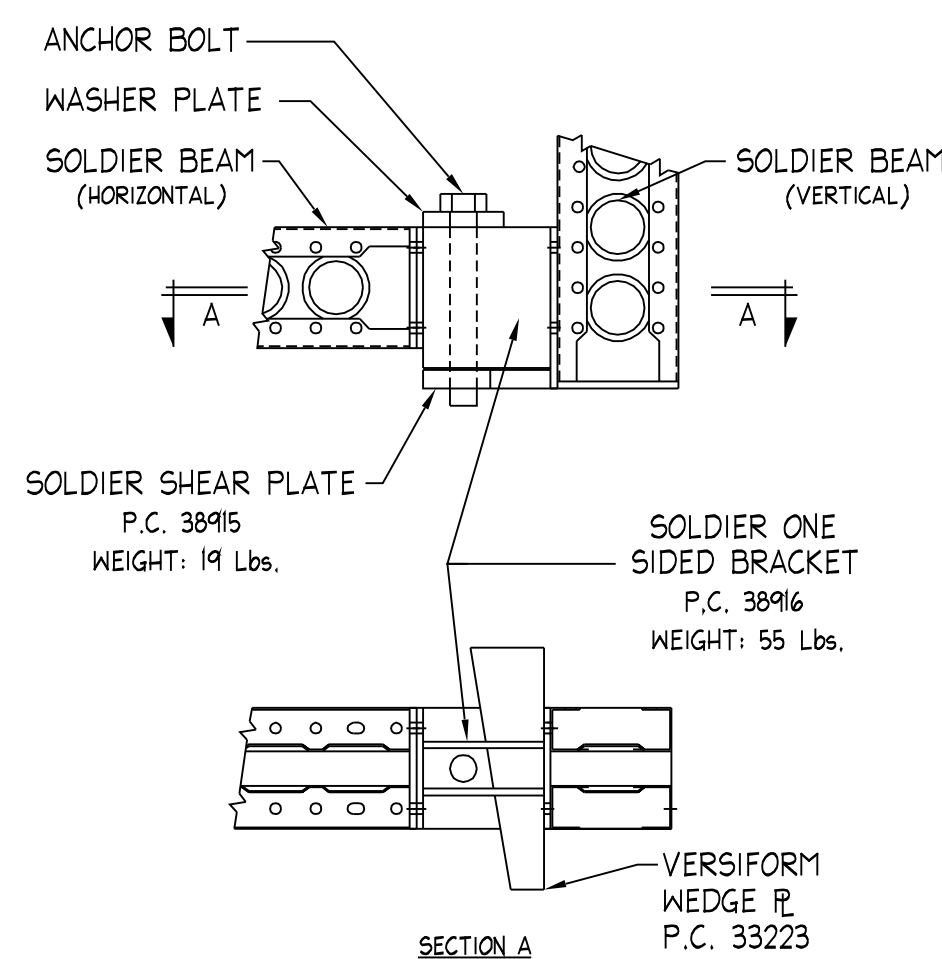


TOGGLE LOCK AND TOGGLE SUPPORT APPLICATION

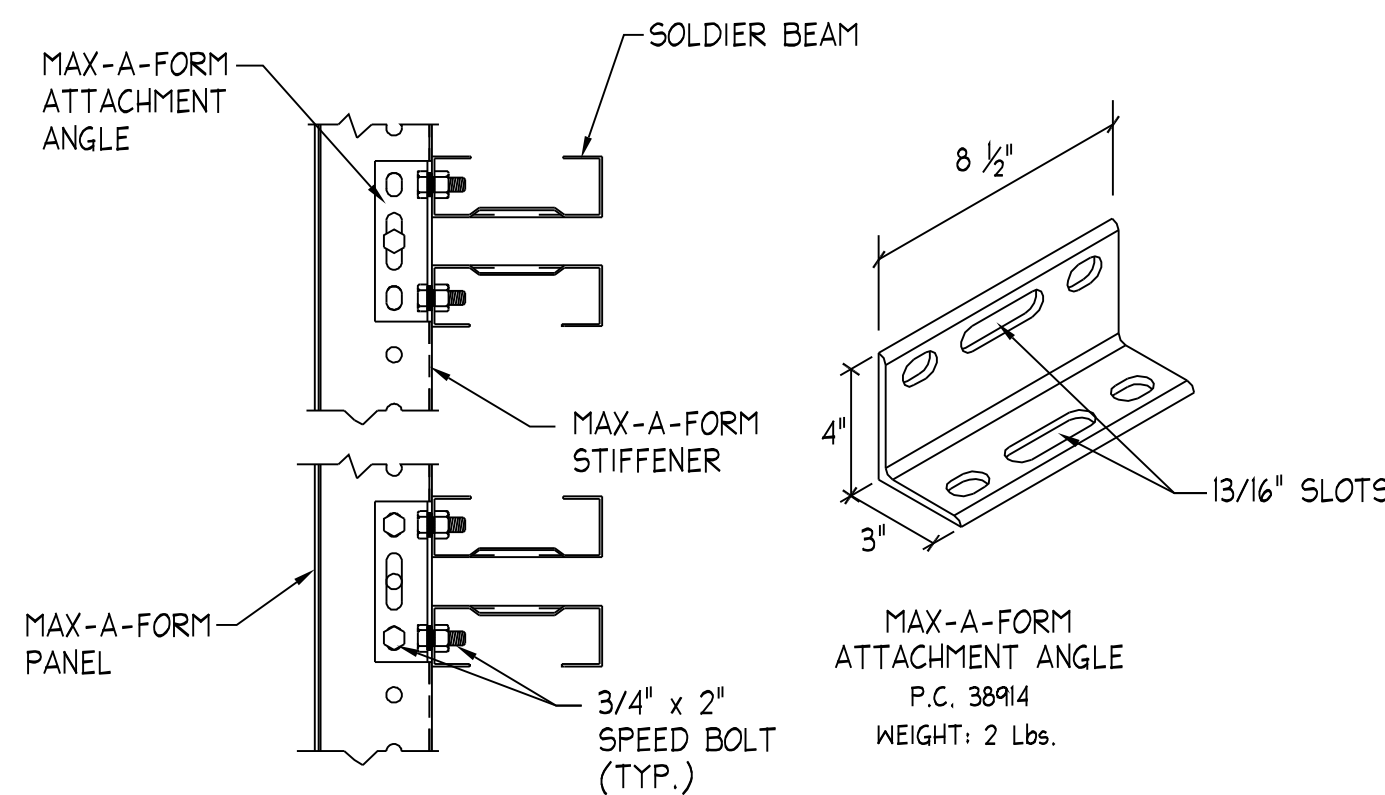
REPRESENTATIVE DETAIL



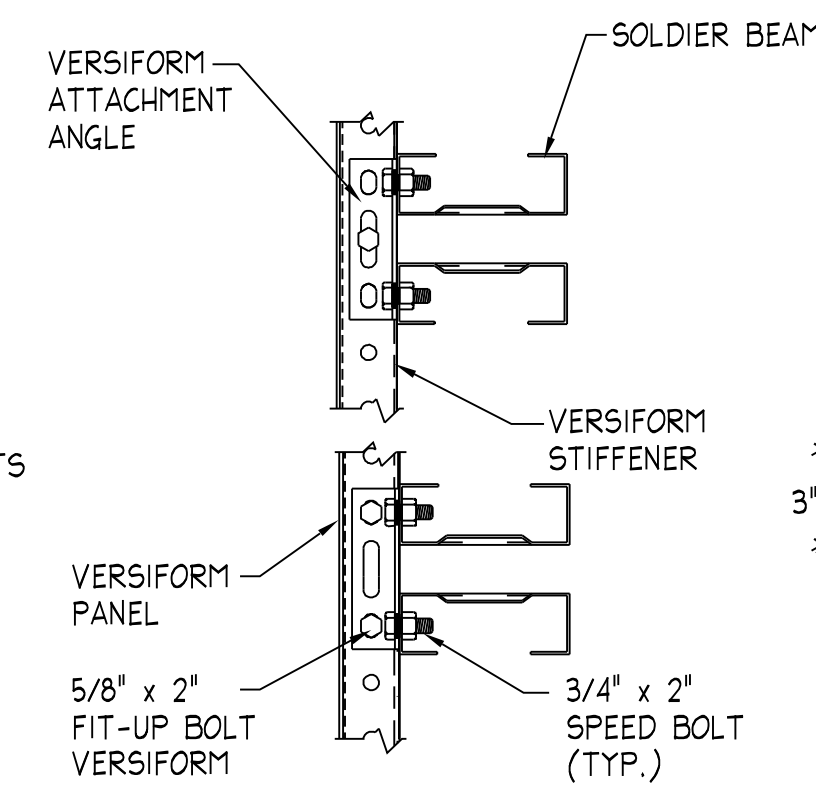
POCKET FORMER  
P.C. 38924  
WEIGHT: 6 Lbs.



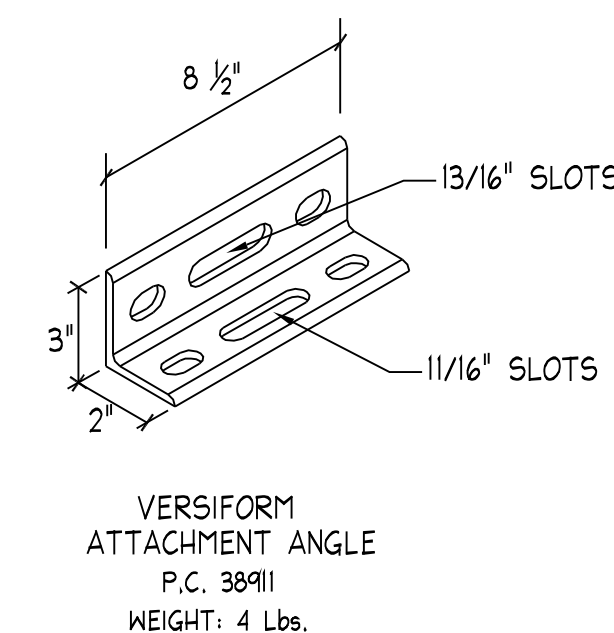
SOLDIER ONE SIDED BRACKET AND SHEAR PLATE APPLICATION



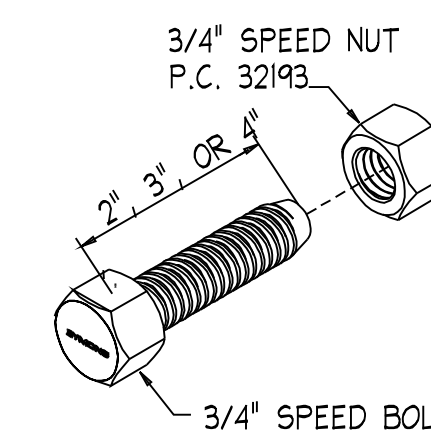
MAX-A-FORM ATTACHMENT ANGLE



VERSIFORM ATTACHMENT ANGLE



PRODUCT CODE	WEIGHT	DESCRIPTION
32191	0.50	3/4" x 2" LONG SPEED BOLT
32195	0.58	3/4" x 3" LONG SPEED BOLT
32194	0.65	3/4" x 4" LONG SPEED BOLT
32193	0.25	3/4" SPEED NUT



### TYPICAL TOOLS

- 1-1/2" SPUD WRENCH W/DRIFT HANDLE - FOR 3/4" SPEED BOLTS
- 1-1/2" DEEP SOCKETS (6 OR 12 PT X 1/2" DR. MIN.) - 3/4" SPEED BOLTS
- 1-5/8" DEEP SOCKET (6 OR 12 PT X 1/2" DR. MIN.) - FOR 1" GIRDER BOLTS
- RATCHET - 1/2" DRIVE MINIMUM
- 12" SOCKET EXTENSION - (1/2" DR. MIN.)
- 2-3/8" OPEN END WRENCH - FOR 1-1/2" SCREW JACKS AND 1-1/2" THRU BOLTS
- 3-1/8" OPEN END WRENCH - FOR 2" SCREW JACKS AND 2" THRU BOLTS
- 18" ADJUSTABLE WRENCH

THE ABOVE REPRESENTS MINIMUM TOOLS REQUIRED FOR ASSEMBLY. OTHER HAND AND POWER TOOLS COMMON TO CONSTRUCTION ARE NORMALLY NECESSARY.



200 E. TOUHY AVE., P.O. BOX 5018  
DESPLAINES, IL 60017-5018  
847/298-3200 FAX 847/635-9287  
www.symons.com

©2005, Symons  
Printed in U.S.A.  
Product Code No. 91162